

DYNAMIC
PROJECTION
INSTITUTE

ULS Mirror



The ULS Mirror is extendable to most projectors and with a single handle, easily adjust and change static projection positions manually.

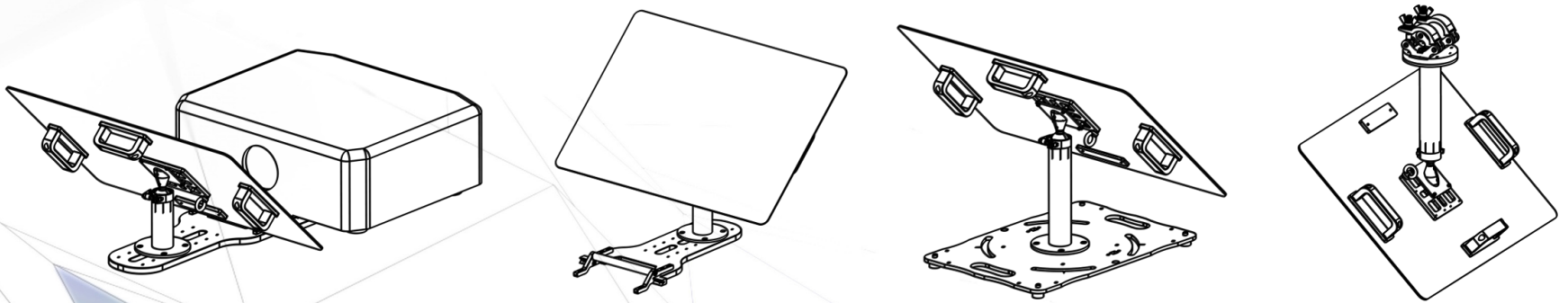
As a result of popular demand, this static mirror system has been developed in a format that has never existed before.

In most cases with the 3-chip projectors, the throw ratio can go down until 0.56:1 and with 1-chip projectors it can be lower. It works with standard and long throw lenses as well.

ULS Mirror

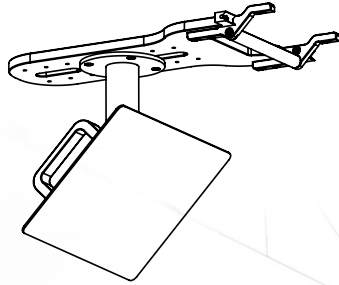
Mount the ULS Mirror directly onto a projector, have it on an external stand or mount it onto any pipe or truss system.

With the ULS Mirror save space to gain valuable projection distance by mounting projectors differently and easily create floor or ceiling projections.

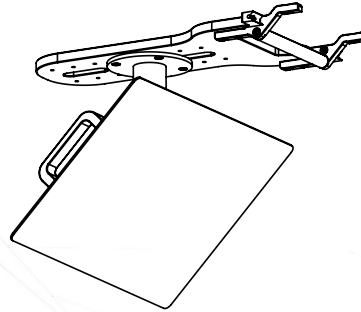


ULS Mirror

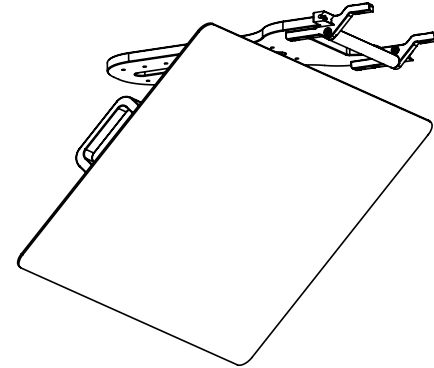
Depending on the size of the projector and the throw ratio of the optics, as well as the different mirror deflection angles, **three mirror sizes** and four pole heights are available.



Mirror size: 340 x 250 mm



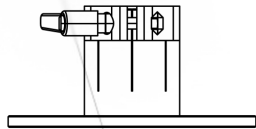
480 x 320 mm



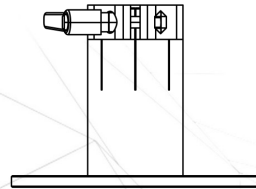
700 x 480 mm

ULS Mirror

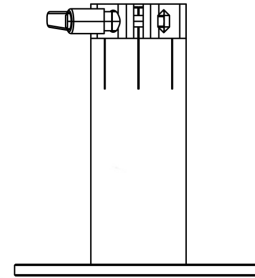
Depending on the size of the projector and the throw ratio of the optics, as well as the different mirror deflection angles, three mirror sizes and **four pole heights** are available.



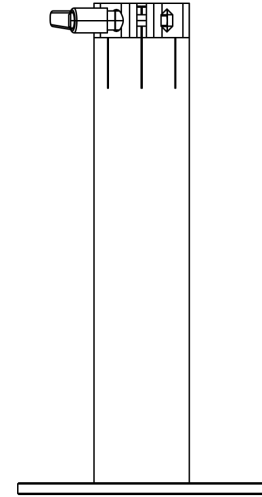
Pole 056



Pole 088



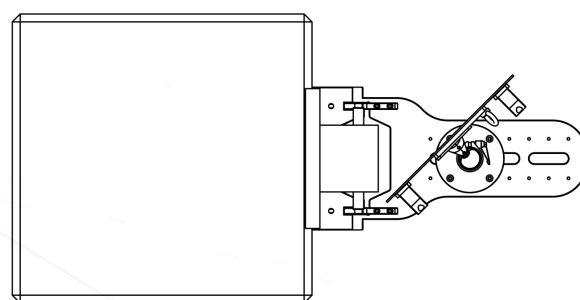
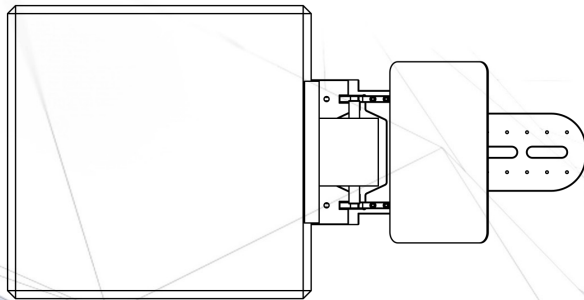
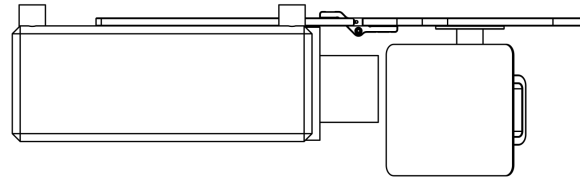
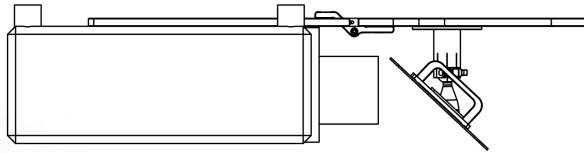
Pole 135



Pole 250

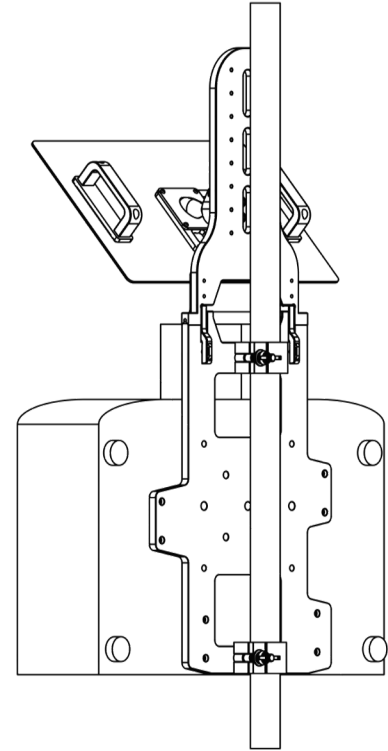
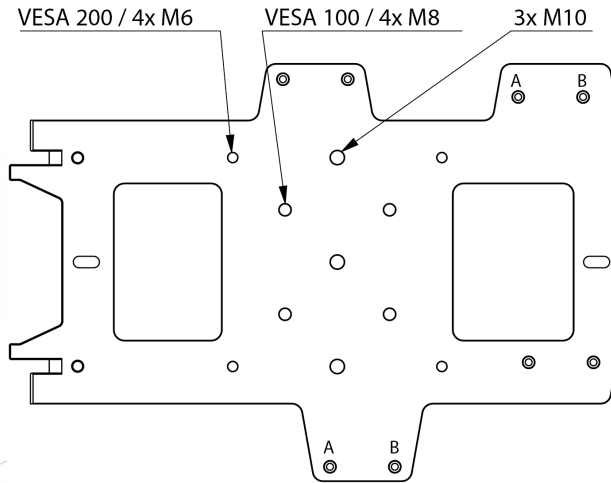
ULS Mirror

Expand integration possibilities to project from unconventional angles and mount anywhere. The most common, of course, is **horizontal and vertical deflection.**



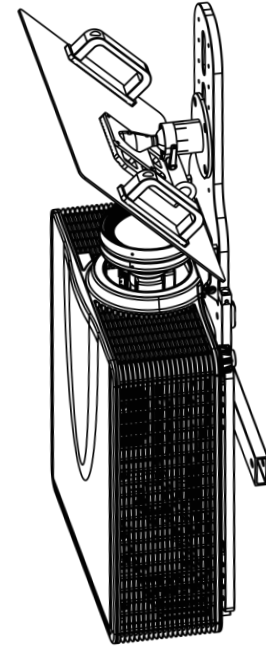
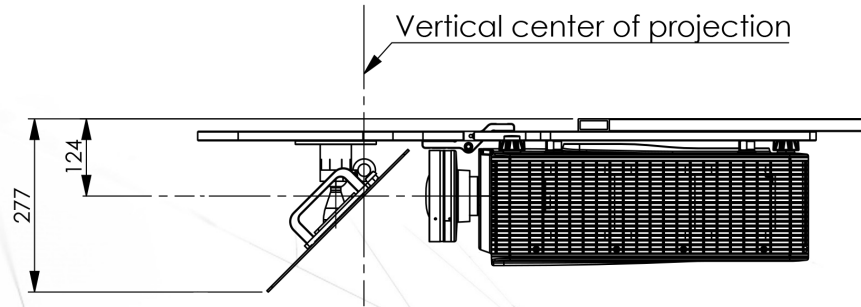
ULS Mirror

Versatile Mounting Options: Our projector plate comes equipped with multiple internal threads, allowing you to attach half couplers or other mounting accessories effortlessly. This feature ensures compatibility with various truss and pipe configurations, providing flexibility for your setup.



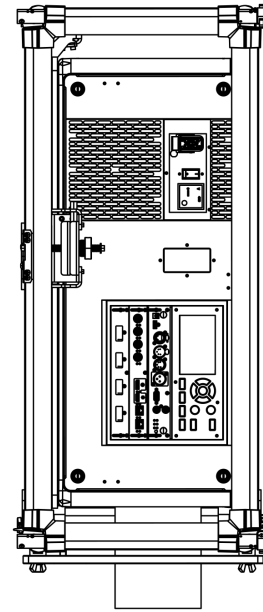
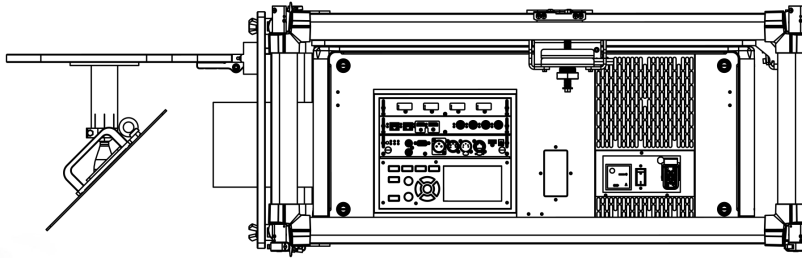
ULS Mirror

The ULS Mirror is frame compatible as well but not necessarily needed. We have an additional ceiling or wall mount, which allows for mounting with extremely minimal distance to the ceiling or wall.



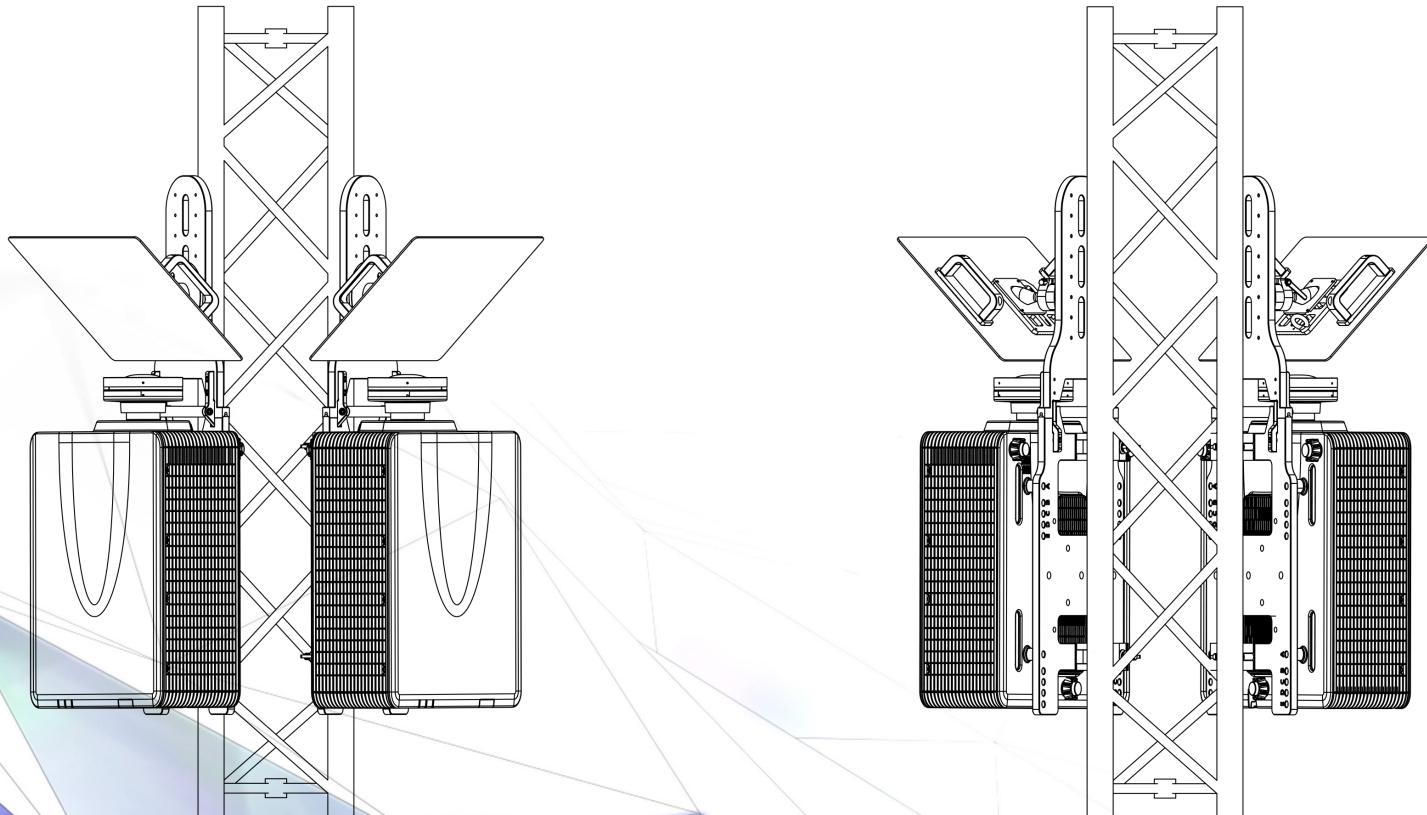
ULS Mirror

Make your images bigger and get more projection distance.



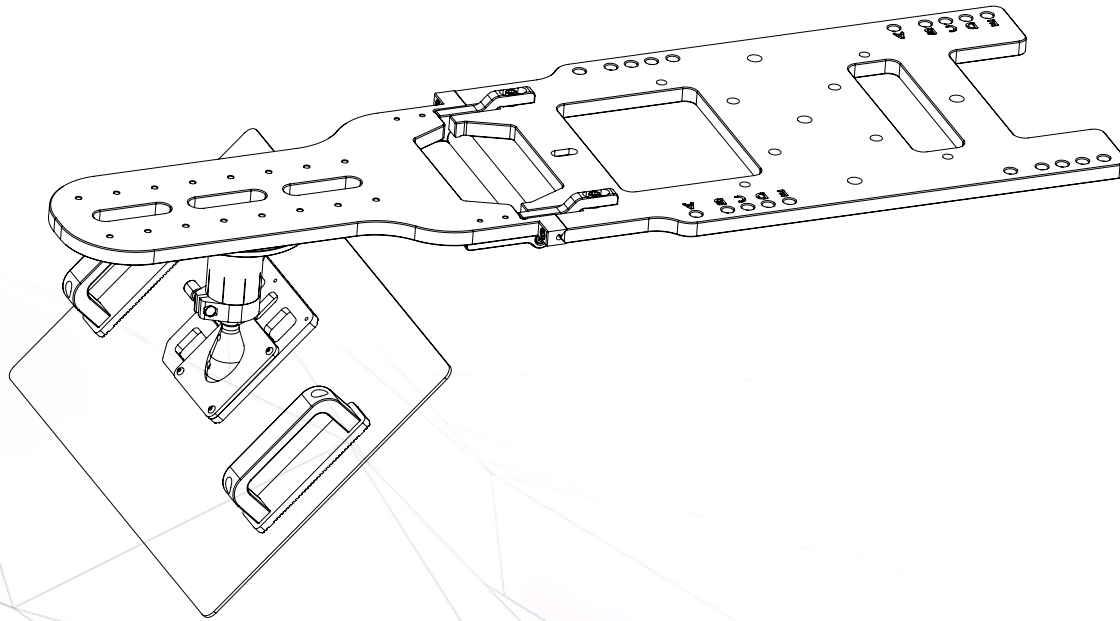
ULS Mirror

Make your images bigger and get more projection distance.



ULS Mirror

ULS Mirror Set 4808 + Projector base plate MHB-3703





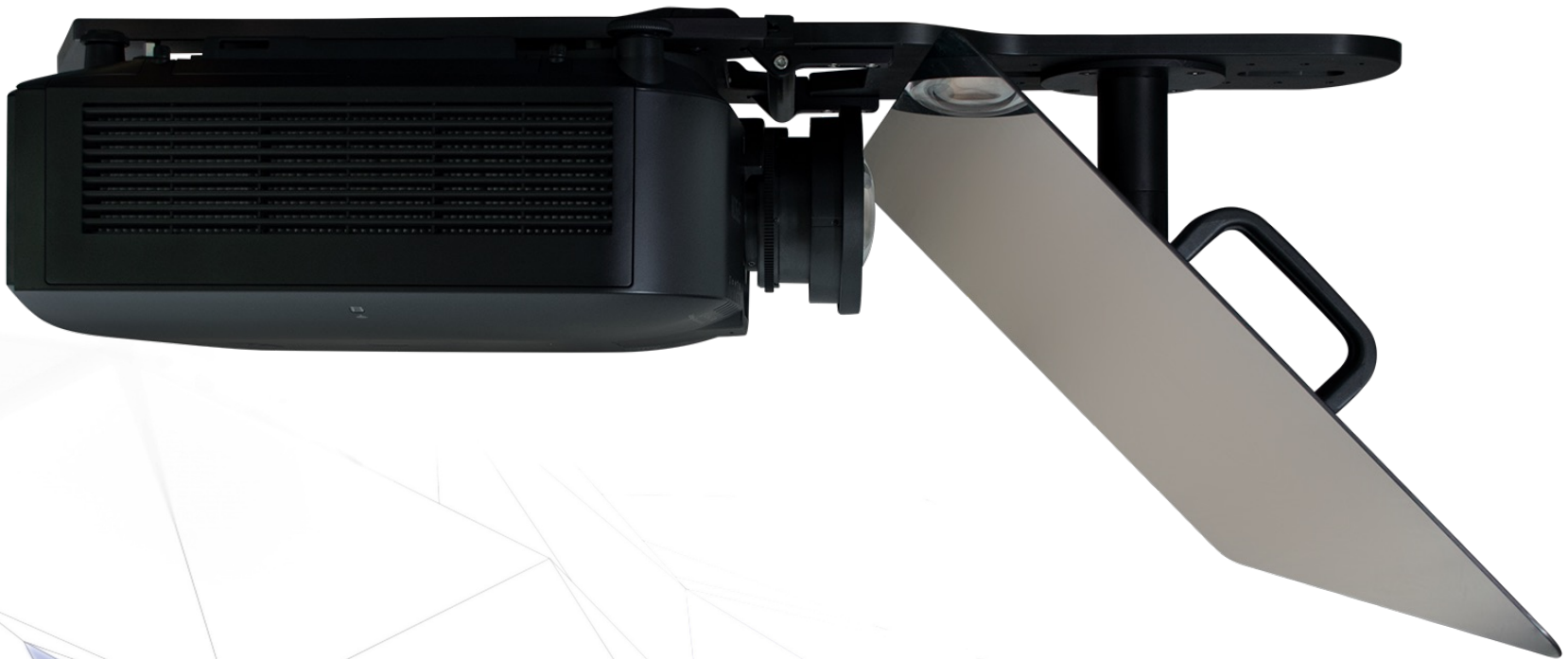


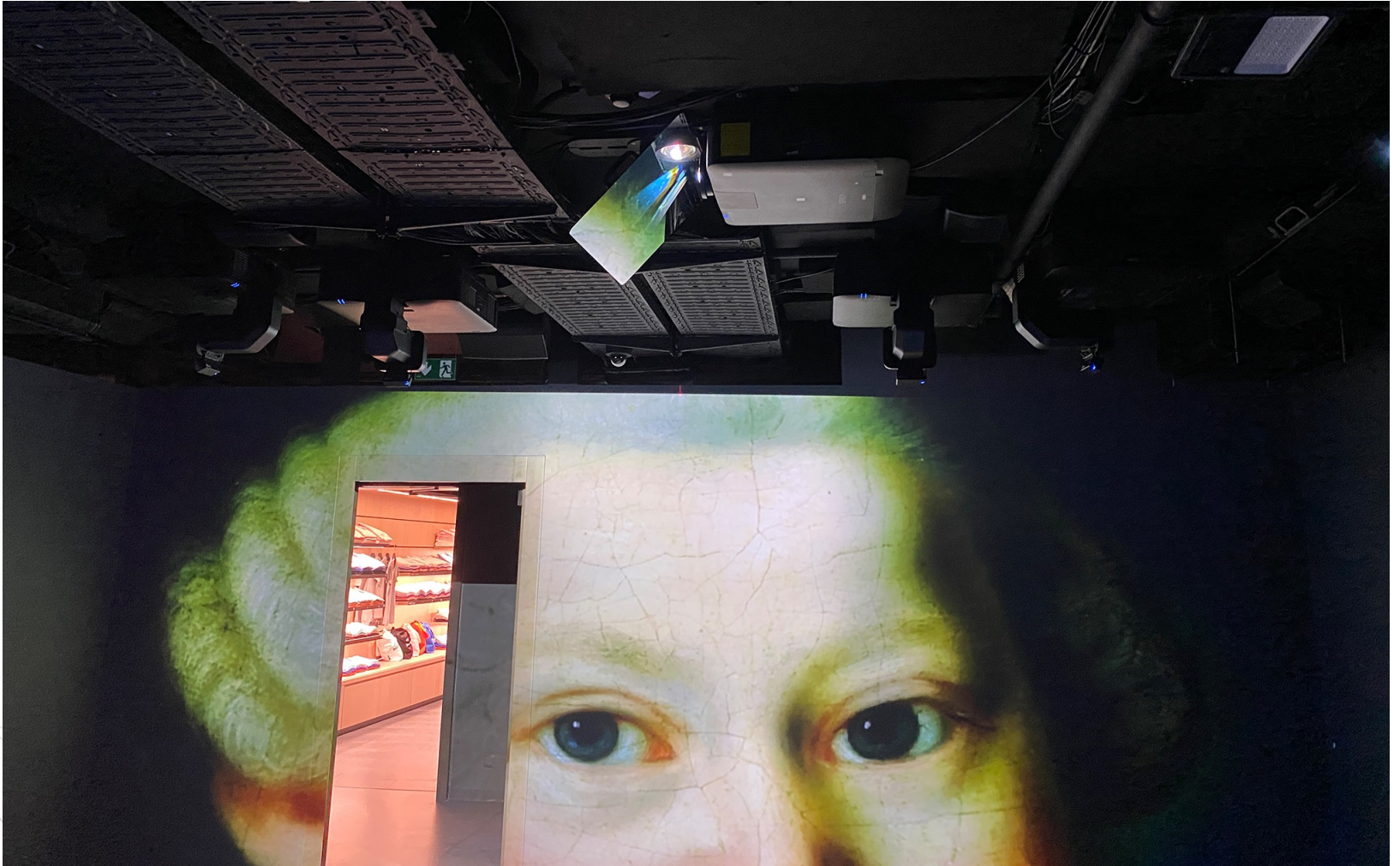


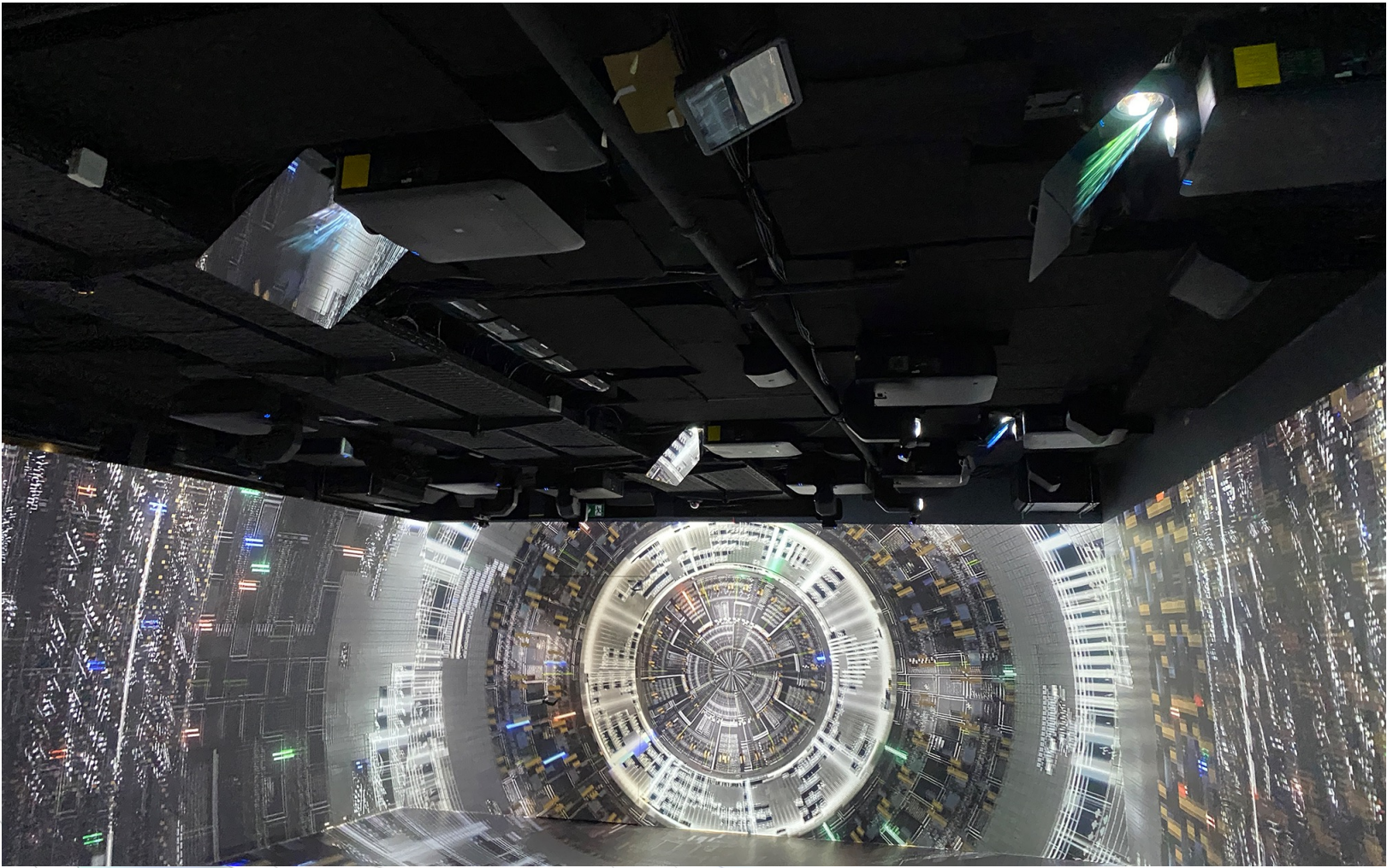
UDM-4K22



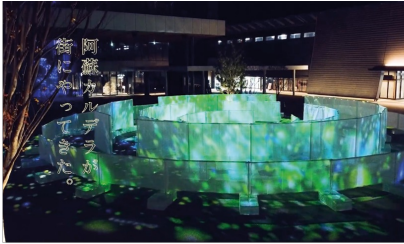












About the Manufacturer

Dynamic Projection Institute GmbH is an Austrian company that develops state-of-the-art video projection technology. The company mission is to offer innovative solutions to extend the functionality of video projectors.



Contact us

Dynamic Projection Institute GmbH
Tel: +43 1 996 2028 0
office@dynamicprojection.com
www.dynamicprojection.com

In the future all industries will need
to use new visual techniques.
Upgrade, logically.

